

## PRODUCT DETAILS

The DAB JETCOM62CORE pairs the composite, self-priming JETCOM62M centrifugal pressure pump with the highly versatile BiANCO NXT CORE dual mode pump controller. The NXT CORE offers unparalleled pump control and protection.

This pressure system is particularly suited to water supply in domestic installations, small-scale agriculture, gardening and wherever self-priming operation is required.

DAB Jetcom pumps are renowned for their unique self priming and extraordinary deep suction capability; up to 8 metres at sea level.

## APPLICATIONS

- Household water supply - small dwellings
- Light garden irrigation
- Water transfer
- Washing systems
- Pressure boosting

## PUMP FEATURES

- Motor support in cast iron, technopolymer pump body impeller, diffuser, Venturi tube and sand guard. Stainless steel adjustment rings.
- Carbon/ceramic mechanical seal.
- Asynchronous motor closed and cooled by external ventilation. Max Ambient temp 40 deg C
- Built-in thermal and current overload protection and a capacitor permanently on in the single-phase versions.



Fitment of a 3, 8 or 18 litre pressure vessel is encouraged to reduce pump starts and save energy.

## TECHNICAL DATA

<b>OUTPUT POWER (KW)</b>	0.44kW P2
<b>MAX. HEAD [M]</b>	42M
<b>MAX. FLOW L/MIN</b>	45 l/min
<b>MAX PRESSURE - PUMP</b>	6 bar
<b>MAX PRESSURE - CONTROL</b>	10 bar
<b>LIQUID TEMPERATURE</b>	2 - 35 deg C
<b>MOTOR</b>	Asynchronous TEFC
<b>MOTOR INSULATION</b>	F Class insulation
<b>MOTOR PROTECTION</b>	In-built thermal overload
<b>PROTECTION CLASS</b>	IP44. Terminal board I.P.55

<b>RATED VOLTAGE</b>	220 - 240V 1Ph 50 Hz
<b>RATED CURRENT</b>	3.12A
<b>CAPACITOR</b>	10uF 450V
<b>POWER CABLE</b>	1.5m long 10 amp rated H05 flex 10 amp 3 pin plug
<b>PUMP BODY</b>	Technopolymer A
<b>INTERNALS</b>	Technopolymer A
<b>MECHANICAL SEAL</b>	Carbon/Ceramic
<b>AUTOMATIC OPERATION</b>	Yes: BiANCO NXT CORE
<b>PACKAGE DIMENSION</b>	L470 x W240 x H240mm
<b>GROSS WEIGHT (KG)</b>	7.5kg pump, 1.6kg controller

## PRODUCT DETAILS



BIANCO NXT Core is a single pump, digital, electronic pump pressure controller.

The pump starts as pressure falls to a user adjustable level. The pump will stop when flow falls to less than 1 l/min.

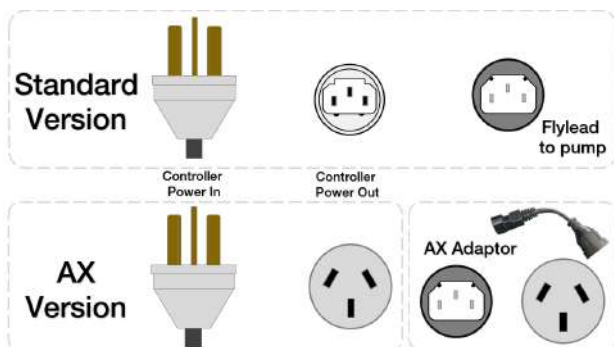
NXT Core has a digital display to provide information about the running state incorporates. It has inbuilt 'dry-run' protection and an automatic restart sequence. Extremely simple to use with push button operation.

## APPLICATIONS

- Control of domestic pressure pumps up to 1.5kW
- Suitable for clean, non-volatile liquids without fibres or solids
- Potable water
- Rainwater reuse

## FEATURES

- Default 2.2 bar cut in (user adjustable)
- Digital pressure gauge for real time indication of system pressure
- Swivel Unions
- Anti-cycle protection
- Dry run protection with auto restart function
- No reactive metal parts in contact with the water

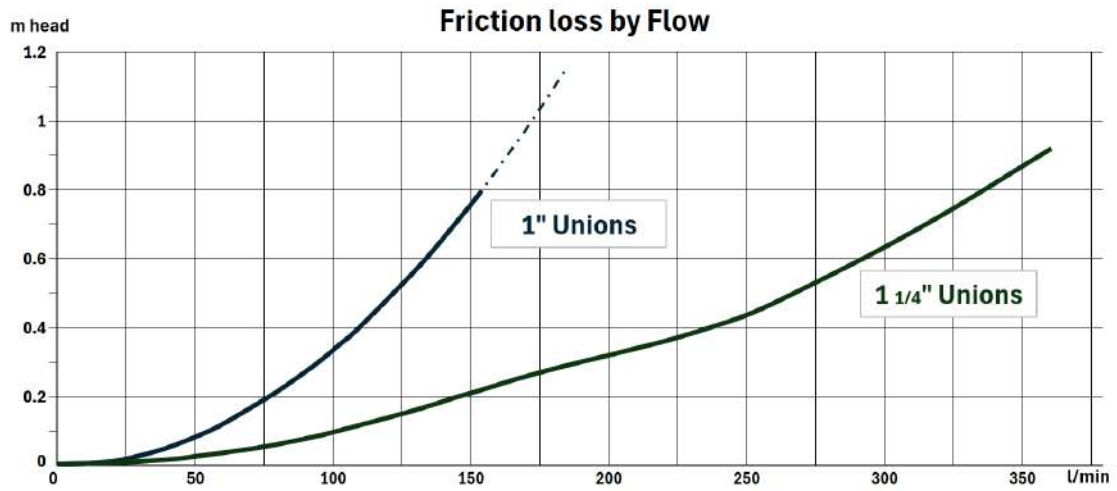


## TECHNICAL DATA

INPUT VOLTAGE	220 - 240 AC 1 Phase
MAX. WORKING TEMP	35 deg C
MAX TEMP	60 deg C
MAX RATED PRESSURE	10 bar
MAX RATED FLOW	>150 l/m @ 0.8 bar loss
INLET/OUTLET	1" BSPM / 1" BSPM
NET WEIGHT	1.6kg

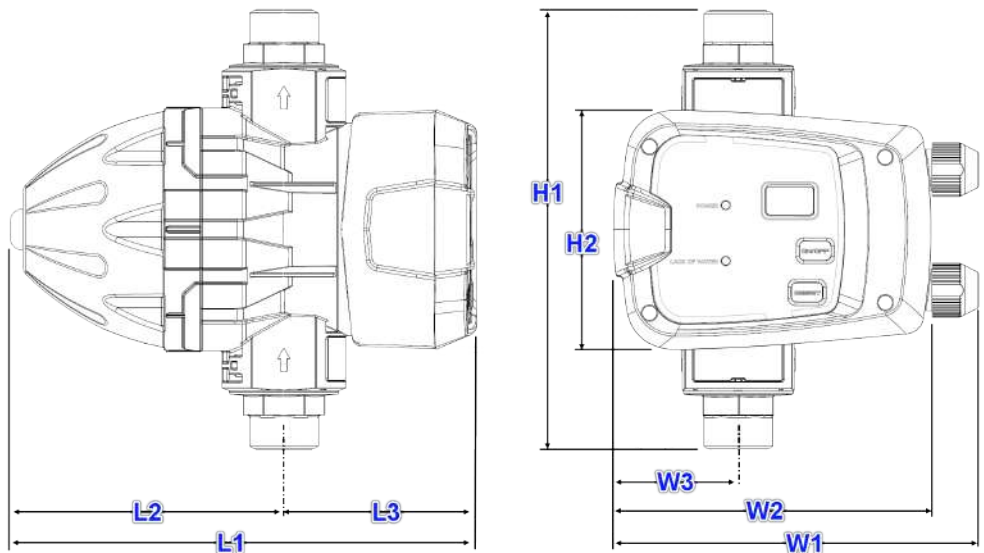
MAXIMUM CURRENT	10 Amps
NOMINAL PUMP POWER	1.5kW
INGRESS PROTECTION	IP65
AUTOMATIC	Yes, with dry run protection
DEFAULT START PRESSURE	2.2 bar - adjustable
POWER CORD	1.5m H05
PACKAGING DIMENSIONS	220 x 230 x 200

## CONTROLLER CURVE



## CONTROLLER DIMENSIONS

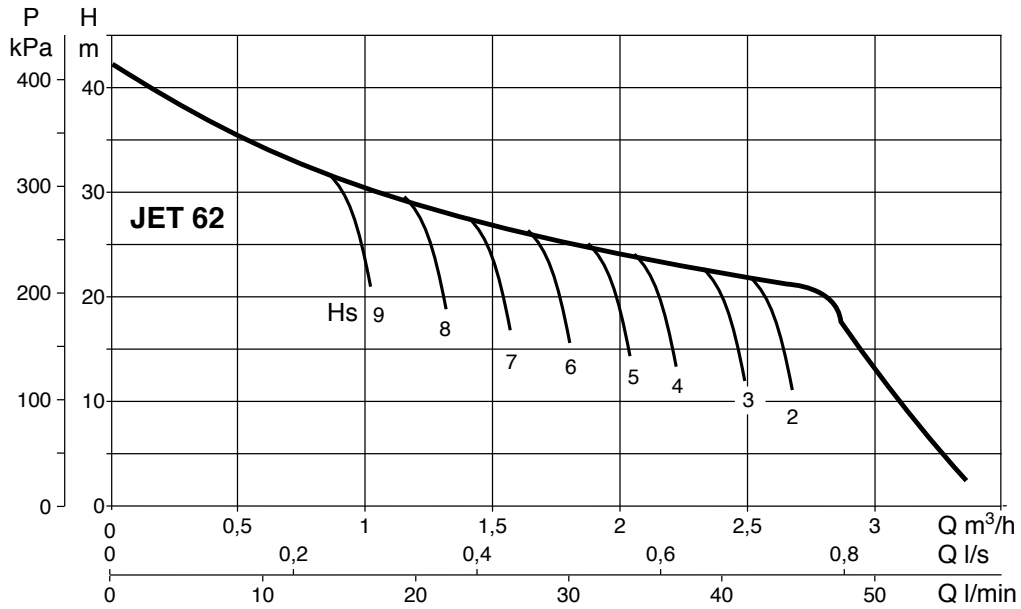
DIMENSIONS	
H1	212mm
H2	115mm
W1	175mm
W2	152mm
W3	57mm
L1	225mm
L2	132mm
L3	93mm



## WARRANTY / CERTIFICATIONS

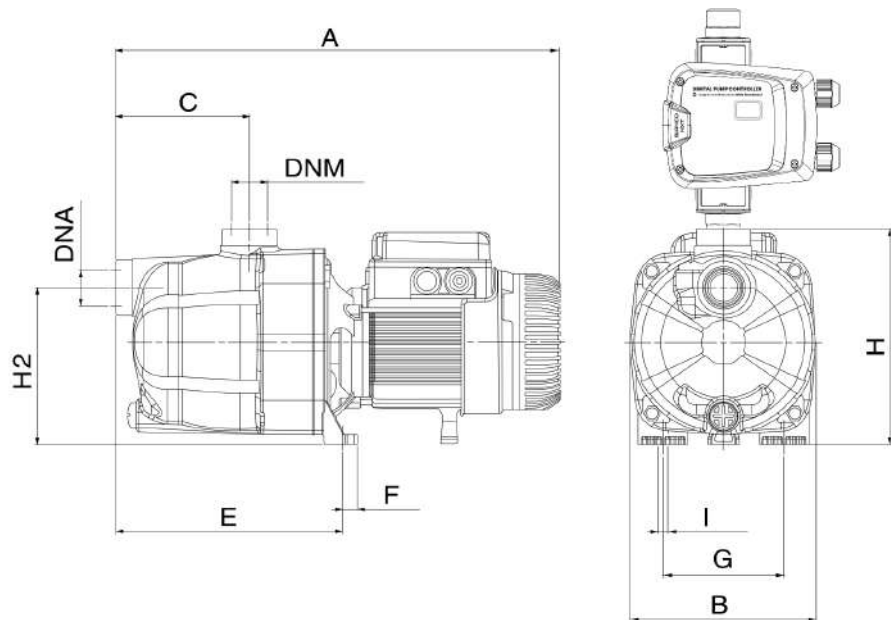


## PUMP CURVE



## PUMP DIMENSIONS

A	406
B	174
C	122
E	207
F	14
G	111
H	197
H2	144
I	Dia 9
DNA	1" GAS
DNM	1" GAS



Height with controller fitted  
 H2 + approx 228mm = 372mm

## WARRANTY / CERTIFICATIONS

